

Steam Generator User's Manual

Model: SR-6000

* To use the product correctly, please read this operation instruction carefully.

<http://www.silverstar.co.kr>

♠ Before use

What is vapor generator	-----	3
Names of parts of product	-----	3
Product specification	-----	4
Circuit diagram	-----	4
Product characteristics	-----	5
Precautions of safety use	-----	6~9

♠ Use

Confirmation before use	-----	9
Assembly and use	-----	10

♠ After use

Cleaning method	-----	11
-----------------	-------	----

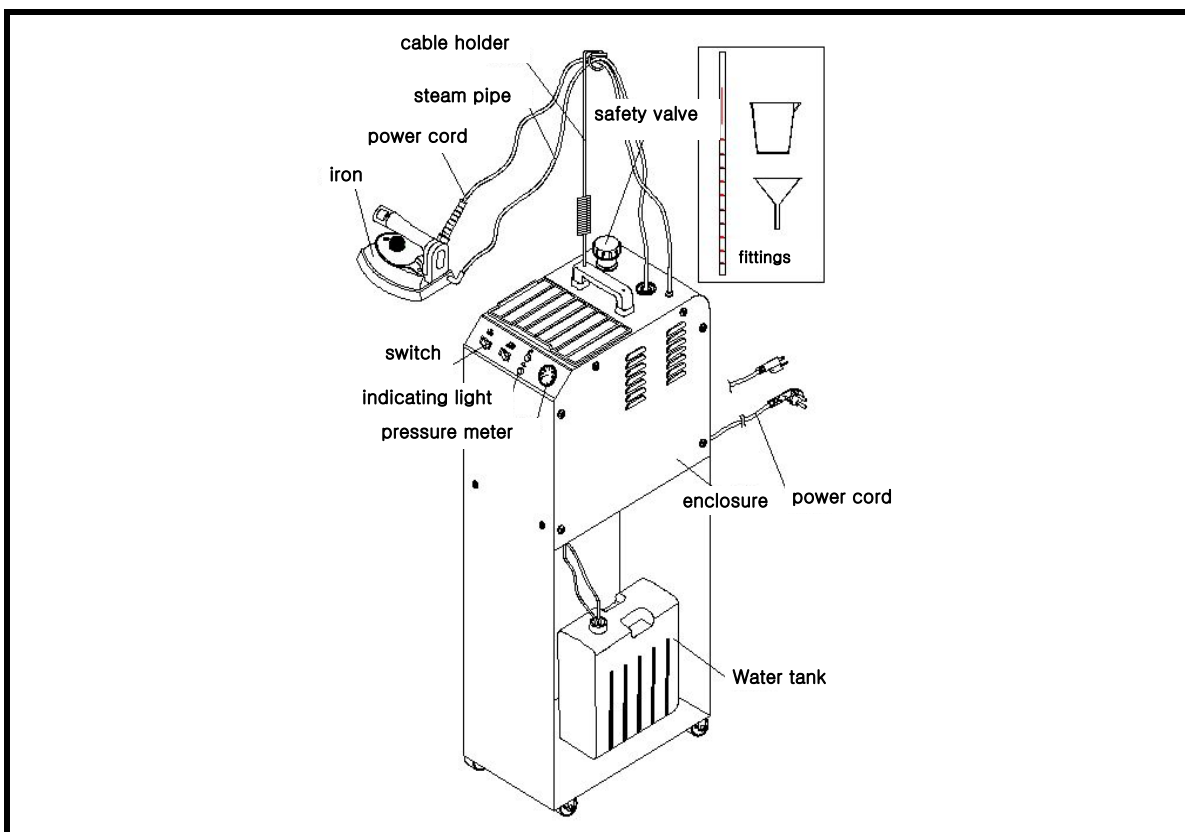
♠ Others

Breakdown drawing	-----	12
Troubleshooting	-----	13

What is SR-6000

SR-6000 is composed of the vapour generated between pressure containers that store water and generate vapours, and the iron that can perform ironing work. This product functions with automation of water. Vapour generator owns basic functions of industrial boiler. Miniaturized design is easy in installation and convenient for use. It is the product that can improve work efficiency and save energy, can be used safely and conveniently in common clothes factory, mall, supermarket, tailor's shop, laundry etc..

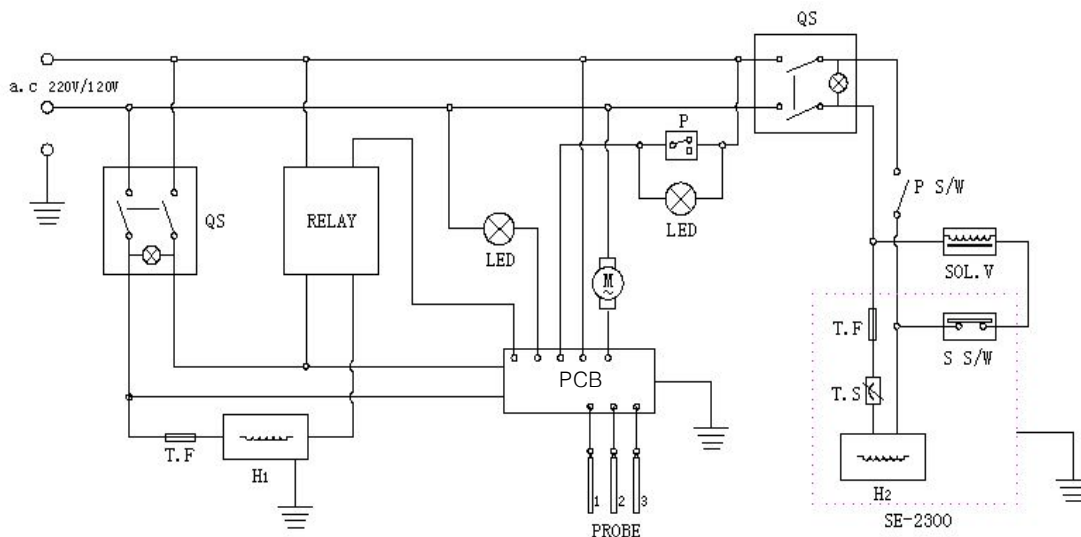
Name of various parts of product



Product specification

Product name	Vapour generator
Type	SR-6000
Voltage	120/220V~,50/60Hz
Vapour generator power	1,500W
Electric iron power	120V/800W,220V/1,000W
Vapour pressure	3.5bars
Product weight	25kg
Product dimension	420×250×830h

Circuit diagram



- | | | |
|-------------------|--------------------------------|-------------------------------|
| QS : power switch | PCB : Pcb board | P S/W : Switch of iron |
| T.F : Fuser | M : Electromagnetic pump | S S/W : Vapour switch of iron |
| H1 : Heater | P : Pressure switch | T. S : Thermostat of iron |
| LED : Indicator | SOL. V : Electromagnetic valve | H2 : Iron Heater |

Product characteristics

- ♣ This product satisfies relevant technical requirements for customer's safety.
- ♣ This product is energy saving product improving basic energy consumption of boiler.
- ♣ This vapour generator has four major safety devices.
 - automatic pressure cutting switch attached
 - safety valve that can discharge pressure in the vapour container in case of excessive pressure generated because of product abnormality
 - two automatic temperature controllers preventing (over temperature attached) do you mean of over heat?
 - the fuser installed internally preventing (over temperature) (over heat) because of failure of thermolator
- ♣ There are two specifications of this vapour generator, 120V and 220V.
 - Before it is connected to the socket for use, whether rated voltage is consistent with voltage required by the product must be confirmed.
- ♣ When electromagnetic valve is started, 2.5 ~ 4.0 BAR vapour bursts out through the iron. If the water in pressure container is used up, no vapour is generated.
- ♣ This product includes accessories of hook, measuring cup, funnel, measuring rod etc.
- ♣ Refer to Page 4 for other product specifications.
Refer to Operation Instructions of the product for precautions and use method.
- ♣ When you are using , if water bottle without water, motor temperature become hot, product stop work. Give the water after one hour become work. Use this product(keep water in bottle).

Repair or disassembly of the product at will is not permitted!

The agent nearby must be contacted to repair!

Precautions of safe use

- ♣ The following is indication of precautions marked to prevent occurrence of accidents for correct, safe use of product, which is expected to be abided by.
- ♣ Precautions of safe use, such as unexpected hazard caused by inadequate use, are classified by "Warning" and "Caution" according to hazard degree and emergency situation of hazard.



Warning!

Inadequate use may cause severe injury, even fatal accident.

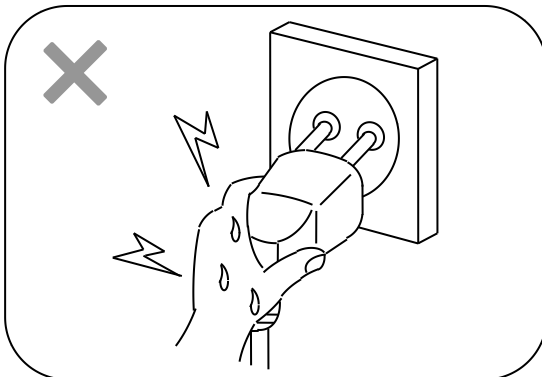


Caution

Inadequate use may cause light injury or accident of product damage.



Warning!

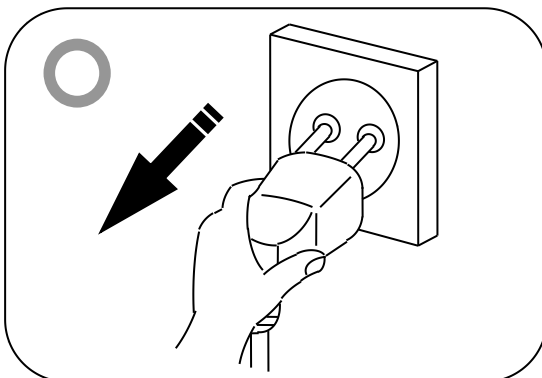


★ Wet hand is prohibited from pulling or inserting power plug

To avoid electric shock.

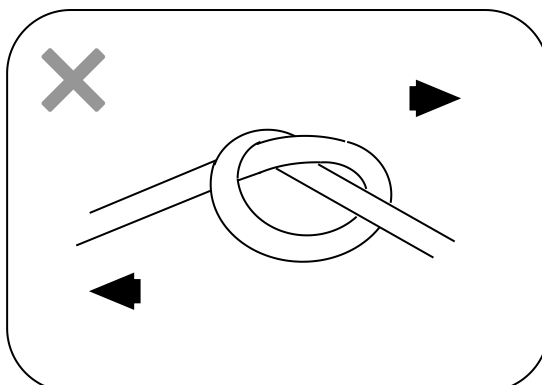
★ In case of power connection, the socket with earthing wire must be used.

Power



★ In case of pulling power plug, the hand must grasp the plug. Pulling plug in same method as pulling power wire with hand is prohibited.

To avoid electric shock caused by wire break.



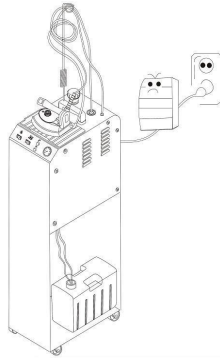
★ Use of power wire knotted is prohibited.

To avoid electric shock caused by wire break.

Precautions of Safe Use



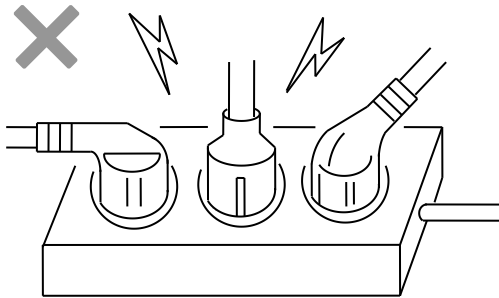
Warning!



★ Power wire can not be extruded by heavy object or product.

Short circuit of power wire may become the reason of electric shock and fire.

Power

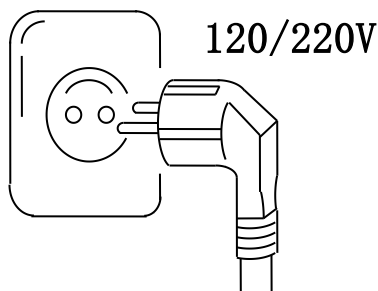


★ It must be used on the plug more than 120V/25A, 220V/15A individually.

Many products used in the same time, may become the reason of overtemperature (over heat) and fire.



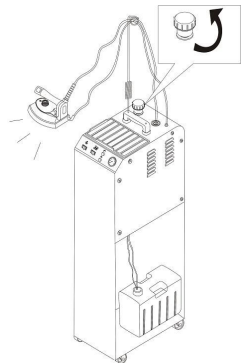
Warning!



★ It should be used after confirmation of rated voltage conforming to required voltage of product,

Operation of abnormal current may cause a fire.

Use



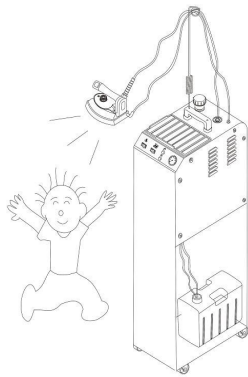
★ During use of product, safety valve should not be contacted or opened.

To avoid scald.

Precautions of Safe Use



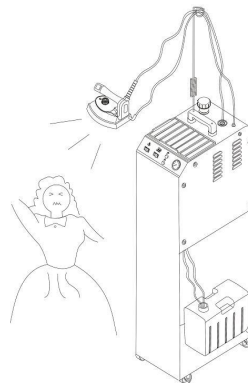
Warning!



★ It should be paid special attention to that use, or contact by children should be prevented.

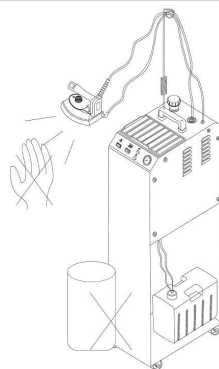
To avoid scald.

Use



★ During product use, spraying at human body or contacting vapour is prohibited.
★ Except for iron clothes, it can not be used for other purpose.

-
The vapour of high pressure and high temperature may cause



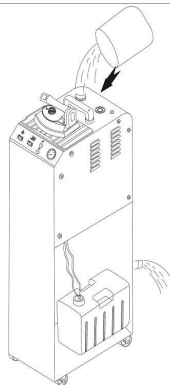
★ During product use, as baseplate temperature is very high, contact with any object should be avoided, Attention should be paid during use.

To avoid scald.



Caution


Sweeping and keepin

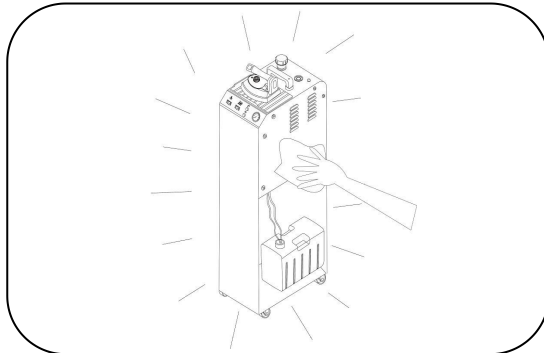


★ In case of idleness for long term, vapour generator should be kept after all water in it is cleaned and dried.

Sediments may be caused in vapour generator kept with water.

Precautions of Safe Use

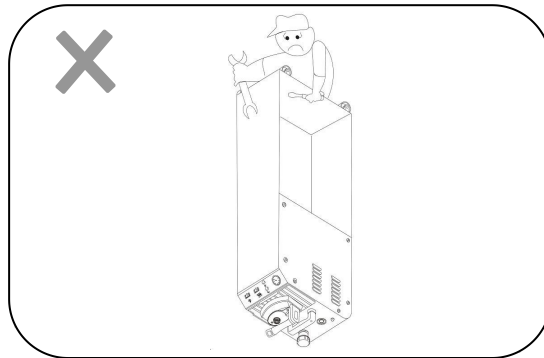

**Cautio
n**
Sweepi
ng and
keepin



★ After use, the cleaning must be made after power plug is pulled out.
★ Washing powder or detergent can not be used for cleaning.


To avoid electric shock and shortened service life of product.

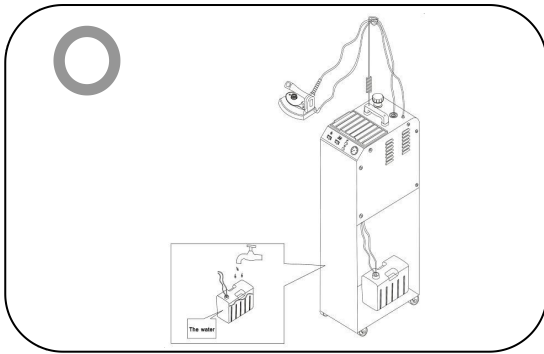

Warning!
Others



★ Product disassembly or prodcut transformation is prohibited.

It may cause product damage and failure, electric shock.


**Cautio
n**
Others

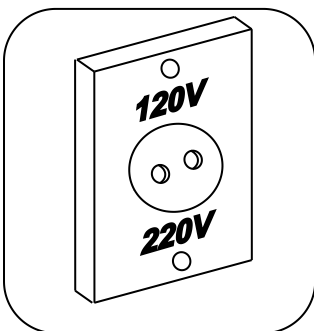


★ Clean water without foreign matters or mineral substance shall be used.

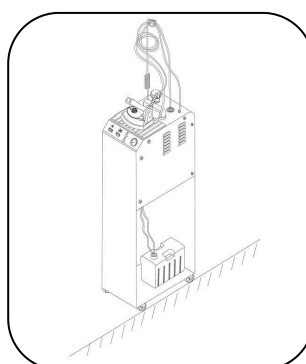
It can prolong service life of product.

※ The water can not be used: special water for iron, chemical water preventing calcium, perfume or mixture of perfume.

Confirmation before Use

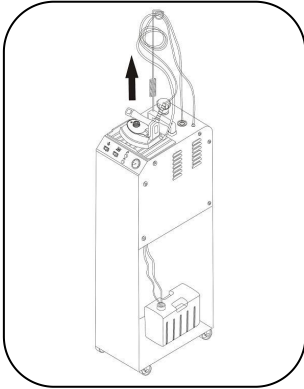


1. Confirm the used voltage
● Check if the service voltage is same as the product voltage



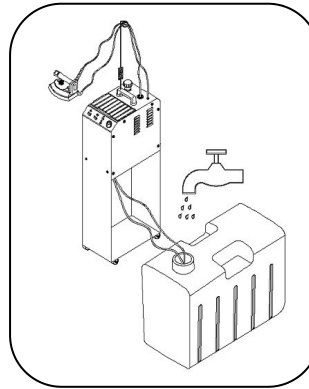
2. Use in this kind of place
● Plain platform, surface, level plane without inclination

Assembly and Use



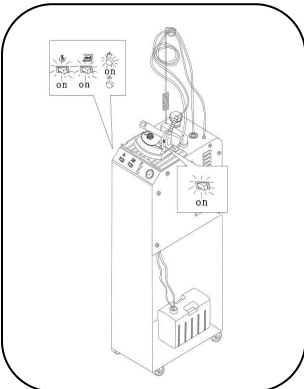
1. Setting of hook

● Install the hook according to the drawing, hang power wire and vapour tube on the hook.



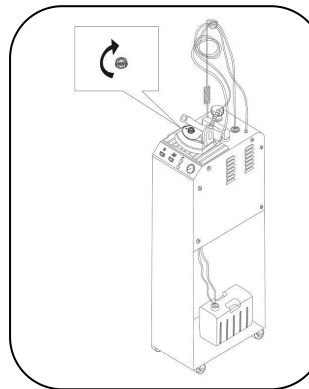
2. Put Water

Put water into water bottle, also suction pipe and hand pipe put into bottle too.



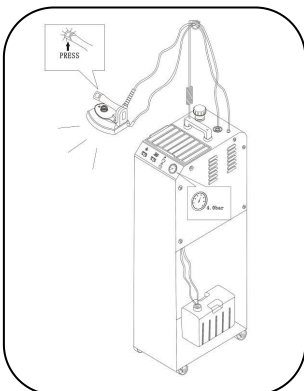
3. Power connection

● After confirmation of the voltage insert the plug, switch on power switch and iron switch.



4. Thermolator adjusted to high temperature

● Adjust the thermolator to the position of high temperature.

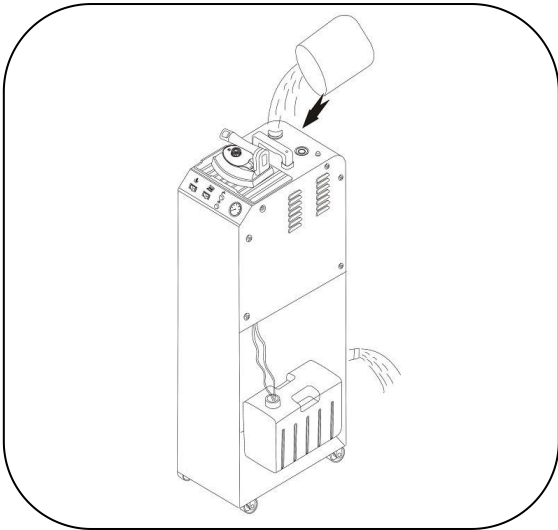


5. Normal use

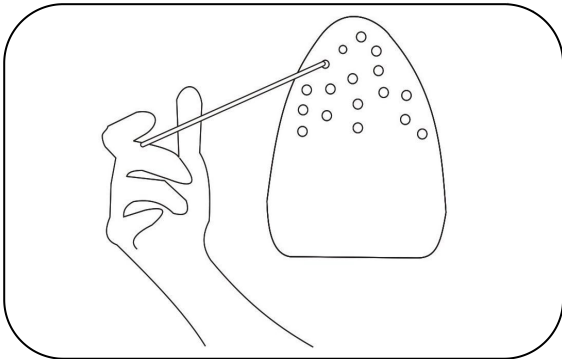
● When the pointer of pressure meter indicate 3.5 bar, LED indicator will light up. Then vapour switch can be pressed for use.

♣ When you are using , if water bottle without water, motor temperature become hot, product stop work. Give the water after one hour become work. Use this product(keep water in bottle).

Cleaning method



- ★ Clean once a month.
- ★ Open the safety valve, give 1/2 water in this bottle. Through the valve drain the water (try 2-3 times)
- ★ After repeated operation, power on and heat for about 15 minutes, to eliminate moisture in pressure container completely. (Safety valve should be in open state right now)
- ★ Service life can be prolonged.
- ★ When disassembling, the agent should be contacted first to take any measures.



- ★ Vapour hole on press iron baseplate may be blocked by foreign matters, which requires cleaning by prod often.

Thus service life of press iron can be prolonged.

Troubleshooting

Common problems	Cause	Solution
●The indicating light in front of product is OFF	<ul style="list-style-type: none"> ●The power is cut off. ●The socket is not well connected. ●Failure of socket. 	<ul style="list-style-type: none"> ●Check if the socket is well connected. ●Check if there is any failure of socket.
●The iron can't be heated up.	<ul style="list-style-type: none"> ●The automatic thermoregulator is set at lowest position. ●The temperature of base plate of iron is too low. ●The switch in front of product is turned to OFF. 	<ul style="list-style-type: none"> ●Adjust the automatic thermoregulator to necessary position. ●The base plate of iron is heating up, pls wait for completion. ●When heating up is impossible with above measures, pls contact your agent for repair.
●The iron runs normally, but steam amount is little or no steam is produced.	<ul style="list-style-type: none"> ●There is no water in bucket. ●The steam boiler in front of product is closed. ●The steam indicating light is not ON. ●The steam hole at base plate of iron is blocked. 	<ul style="list-style-type: none"> ●Add water to bucket. ●Turn the switch to ON, waiting for lighting up of indicating light. ●Wait for steam indicating light to be ON. ●Contact your agent for repair when no steam is produced after taking above measures.
●Water jets out from base plate of iron.	<ul style="list-style-type: none"> ●Too much water in bucket. ●Auto thermoregulator is at low temperature position. ●The base plate of iron is at middle position. 	<ul style="list-style-type: none"> ●Observe the water volume in bucket, and pour it out when there is too much water ●Adjust the automatic thermoregulator to necessary position. ●Wait for heating completion of base plate of iron.
●The steam ejects out continuously, the solenoid valve can not be closed.		<ul style="list-style-type: none"> ●Cut off power and connect the agent for repair.
●There is sufficient water in bucket, but the steam indicating light is not ON.		<ul style="list-style-type: none"> ●Cut off power and connect the agent for repair.
●The safety valve is closed, but there is still air leakage.		<ul style="list-style-type: none"> ●Cut off power and connect the agent for repair.
●The pressure gauge points to over 4.5bar.		<ul style="list-style-type: none"> ●Cut off power and connect the agent for repair.
●During use, the steam indicating light is twinkling.	<ul style="list-style-type: none"> ●No abnormality present, pls don't worry. 	
●During use, spot may be left on clothes.	<ul style="list-style-type: none"> ●The inappropriate liquid or unclean water is used. 	<ul style="list-style-type: none"> ●Refer to page 10 for inappropriate water. Tap water should be used.



HEAD OFFICE & FACTORY

104-5, Shinpyong-Ri, Shinbuk-Myoun, Pochun-Kun, Kyoungki-Do, Korea

TEL:82-31-531-8131~6 FAX:82-31-531-8130

E-mail : eunsung5@kornet.net

